

# Specimen Collection, Transport, Testing, and Submission for Patients with Suspected Infection with Ebola Virus Disease

## NOTIFICATION & CONSULTATION

Hospitals should follow their state and/or local health department procedures for notification and consultation for Ebola testing requests before contacting CDC.

CDC cannot accept any specimens without prior consultation.

FOR CONSULTATION, CALL THE CDC EMERGENCY OPERATIONS CENTER AT

**770-488-7100**



## WHEN SPECIMENS SHOULD BE COLLECTED FOR EBOLA TESTING



**Ebola virus is detected in blood** only after the onset of symptoms, usually fever. It may take up to 3 days after symptoms appear for the virus to reach detectable levels. Virus is generally detectable by real-time RT-PCR from 3-10 days after symptoms appear.

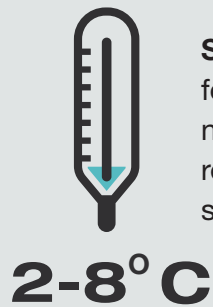


**Ideally, specimens should be taken** when a symptomatic patient reports to a healthcare facility and is suspected of having an Ebola exposure. However, if the onset of symptoms is <3 days, a later specimen may be needed to completely rule-out Ebola virus, if the first specimen tests negative.

## PREFERRED SPECIMENS FOR EBOLA TESTING

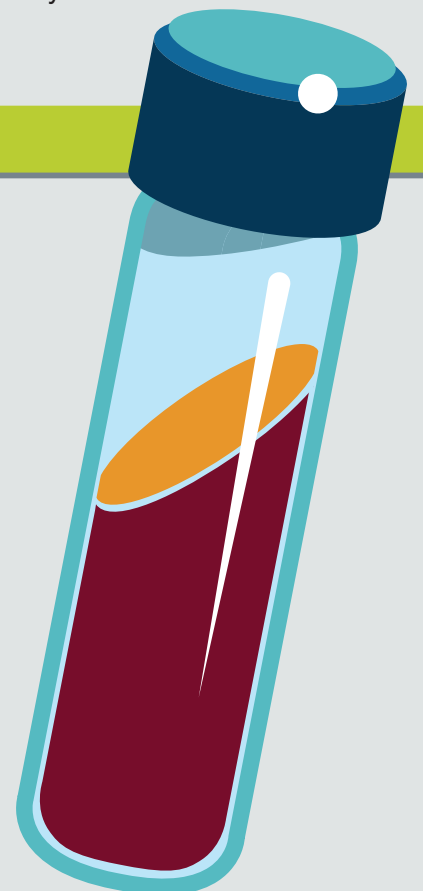
A minimum volume of 4 milliliters of whole blood preserved with EDTA is preferred but whole blood preserved with sodium polyanethol sulfonate (SPS), citrate, or with clot activator can be submitted for Ebola testing.

Specimens should be shipped at 2-8°C or frozen on cold-packs to CDC. Do not submit specimens to CDC in glass containers. Do not submit specimens preserved in heparin tubes.



Specimens other than blood may be submitted upon consult with CDC.

Standard labeling should be applied for each specimen. The requested test needs to be identified only on the requisition and CDC specimen submission forms.



## DIAGNOSTIC TESTING FOR EBOLA PERFORMED AT CDC

Several diagnostic tests are available for detection of Ebola virus disease. Acute infections will be confirmed using a real-time RT-PCR assay (CDC test directory code CDC -10309 Ebola Identification) in a CLIA-accredited laboratory. Virus isolation may also be attempted. Serologic testing for IgM and IgG antibodies will be completed for certain specimens and to monitor the immune response in confirmed Ebola virus disease patients (#CDC-10310 Ebola Serology).

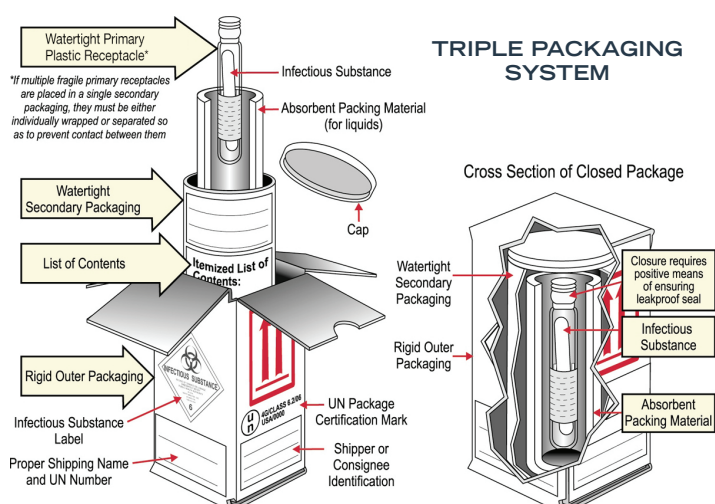
Lassa fever is also endemic in certain areas of West Africa and may show symptoms similar to early Ebola virus disease. Diagnostic tests available at CDC include but are not limited to RT-PCR, antigen detection, and IgM serology, all of which may be utilized to rule out Lassa fever in patients who test negative for Ebola virus disease.

## TRANSPORTING SPECIMENS WITHIN THE HOSPITAL / INSTITUTION



In compliance with 29 CFR 1910.1030, specimens should be placed in a durable, leak-proof secondary container for transport within a facility. To reduce the risk of breakage or leaks, do not use any pneumatic tube system for transporting suspected Ebola virus disease specimens.

## PACKAGING & SHIPPING CLINICAL SPECIMENS TO CDC



Specimens collected for Ebola virus disease testing should be packaged and shipped without attempting to open collection tubes or aliquot specimens.

Specimens for shipment should be packaged following the basic triple packaging system which consists of a primary container (a sealable specimen bag) wrapped with absorbent material, secondary container (watertight, leak-proof), and an outer shipping package.

## THE SUBMISSION PROCESS

Contact your state and/or local health department and CDC (770-488-7100) to determine the proper category for shipment based on clinical history and risk assessment by CDC and to obtain detailed shipping guidance and required CDC submission documents. State guidelines may differ and state or local health departments should be consulted before shipping.

INFORMATION ON SHIPPING & TRACKING IS AVAILABLE AT

[www.cdc.gov/ebola](http://www.cdc.gov/ebola)

