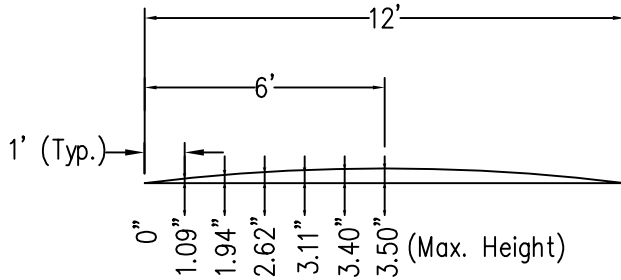
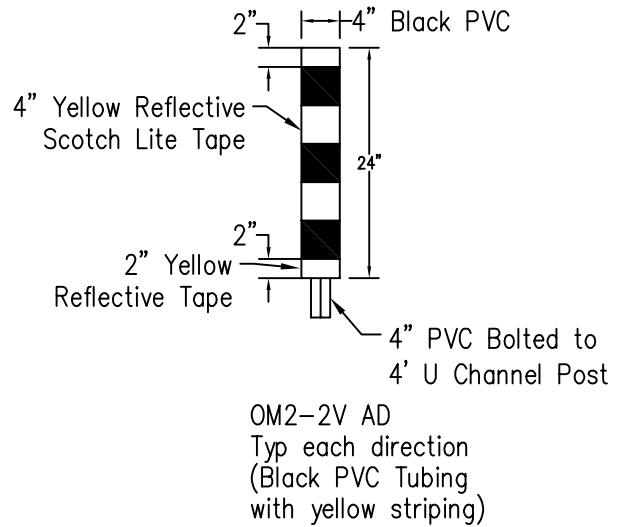


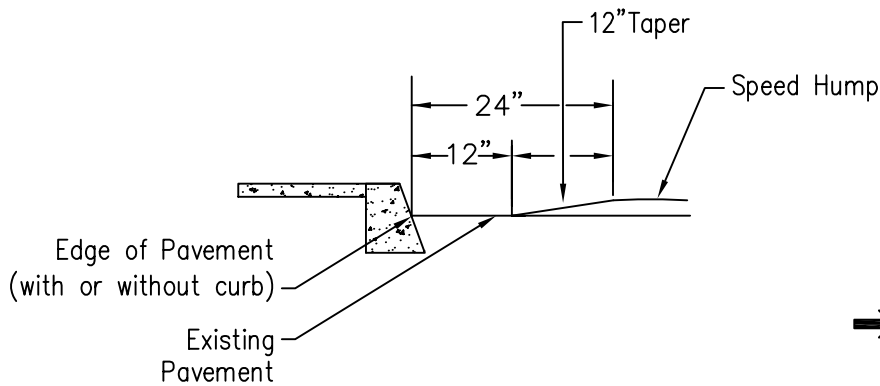
PLAN VIEW



CROSS SECTION A-A



OM2-2V AD  
Typ each direction  
(Black PVC Tubing  
with yellow striping)



CROSS SECTION B-B

LEGEND

- ➔ Direction of Travel.
- ⊣ OM2-2V AD

NOTES:  
Roadways with an inverted crown require modification and must be approved by the County Engineer.

<b>ISSUED:</b>		<b>STANDARD DETAIL</b>		<b>DETAIL NO.</b>
6/22		<b>TYPICAL PAVEMENT MARKING</b>		<b>10.1A</b>
<b>REVISED:</b>		<b>for Speed Humps</b>		