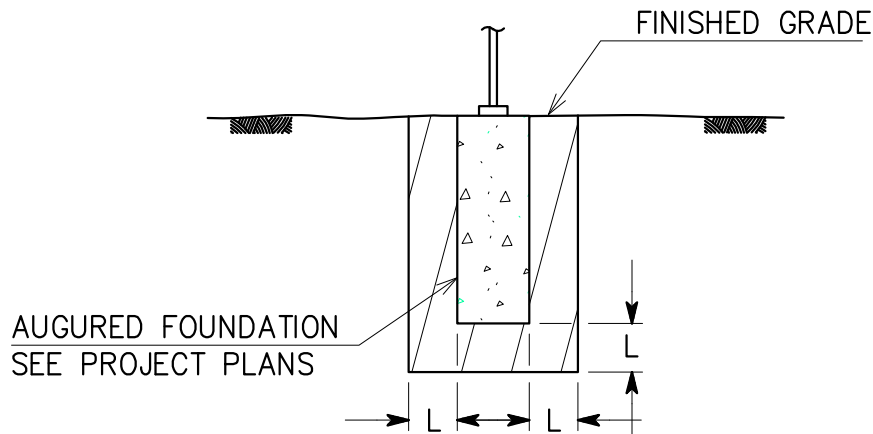


BELOW GROUND FEATURE

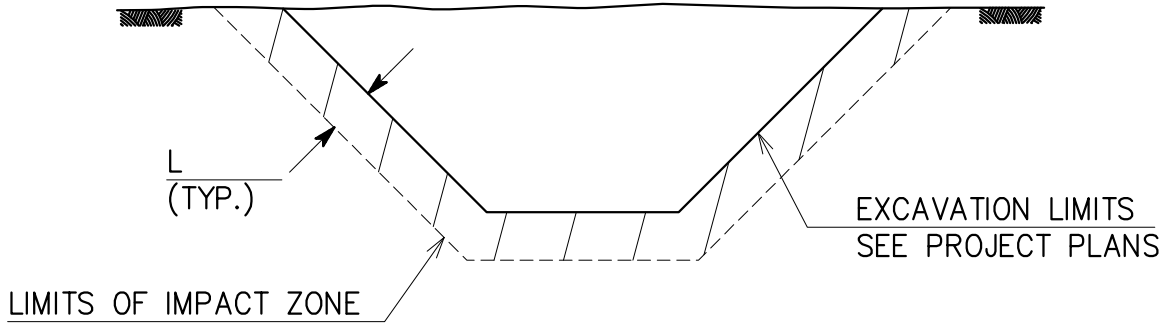


POLE FOUNDATION

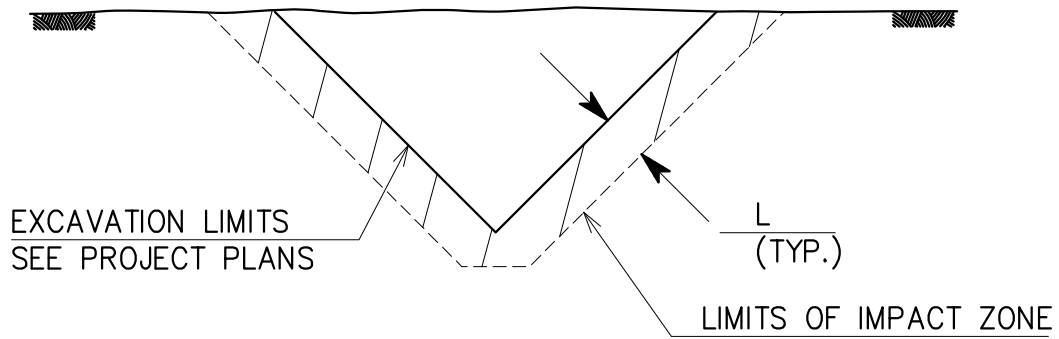


IMPACT ZONE

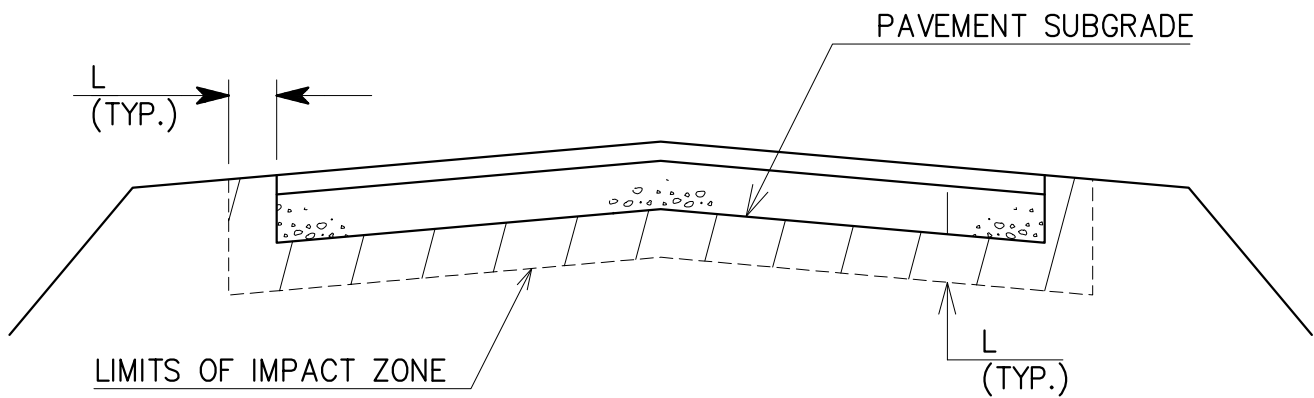
ISSUED: 04/09		STANDARD DETAIL		DETAIL NO.
REVISED: 06/22		UTILITY LOCATION		600
		PIMA COUNTY DOT		SHEET 1 OF 3



DRAINAGE WAY



ROADSIDE DITCH



IMPACT ZONE

PAVEMENT

ISSUED: 04/09		STANDARD DETAIL		DETAIL NO. 600
REVISED: 06/22		UTILITY LOCATION PIMA COUNTY DOT		SHEET 2 OF 3

UTILITY	"L"
GAS	3'
ELECTRIC	3'
PETROLEUM	3'
OTHER	3'

- 1) UTILITIES AND THEIR APPURTENANCES SHALL BE LOCATED OUTSIDE OF THE IMPACT ZONE.
- 2) TYPE "C" SOIL IS TO BE ASSUMED UNLESS SOILS INFORMATION IS AVAILABLE TO INDICATE OTHERWISE.
- 3) BELOW GROUND FEATURES SHALL INCLUDE BUT NOT BE LIMITED TO BOX CULVERTS, PIPES, STORM DRAINS, CATCH BASINS, WALL FOOTINGS, IT CONDUITS, TRAFFIC SIGNAL FOUNDATIONS, PULL BOXES, HEADWALLS, CUTOFF WALLS, GUARDRAIL POSTS, LIGHT POLE FOUNDATIONS etc.
- 4) ABOVE GROUND UTILITIES AND THEIR APPURTENANCES SHALL BE LOCATED OUTSIDE OF THE CLEAR ZONE.

ISSUED:		STANDARD DETAIL		DETAIL NO.
04/09		UTILITY LOCATION		600
REVISED:		PIMA COUNTY DOT		
06/22				SHEET 3 OF 3